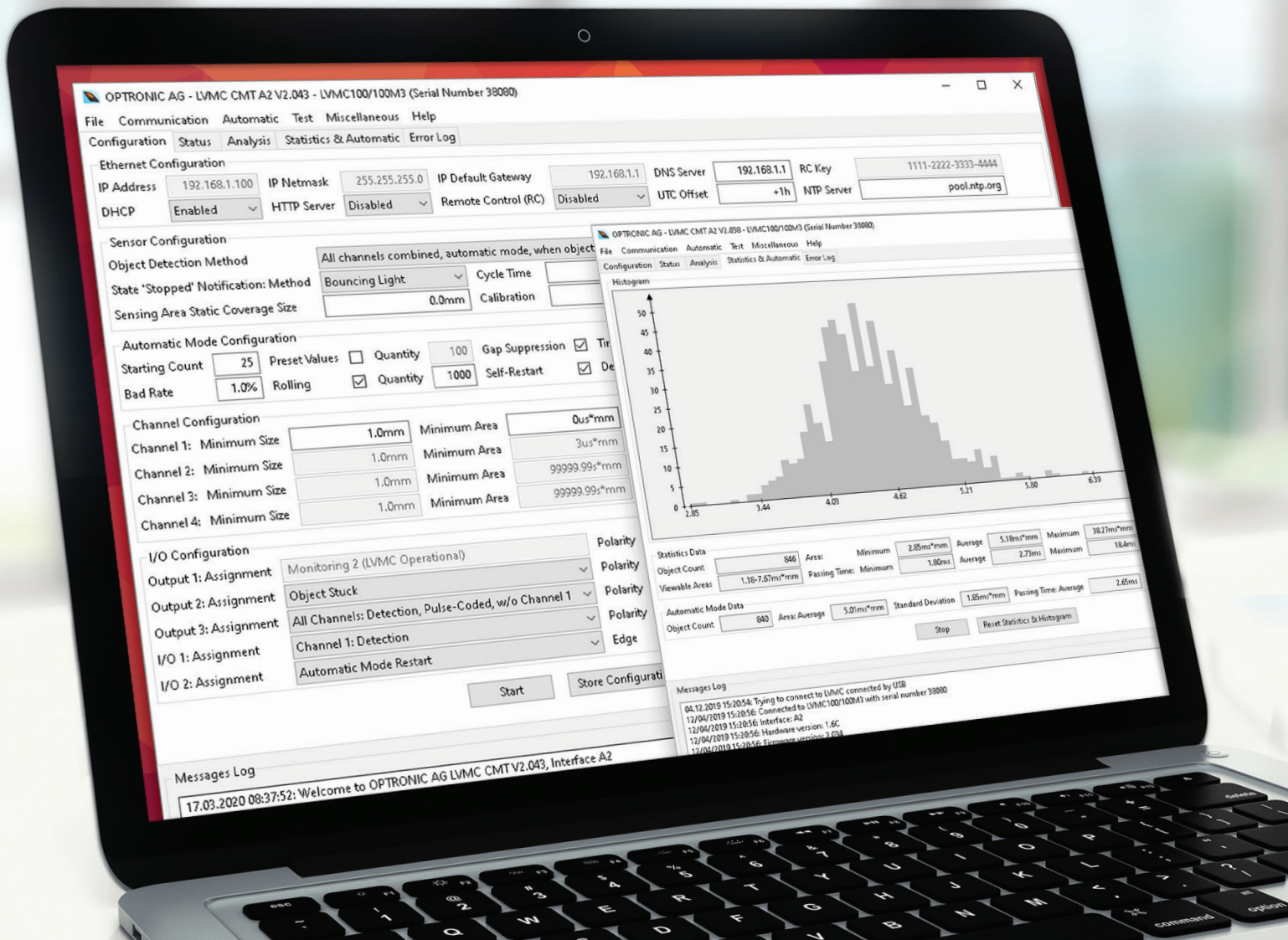


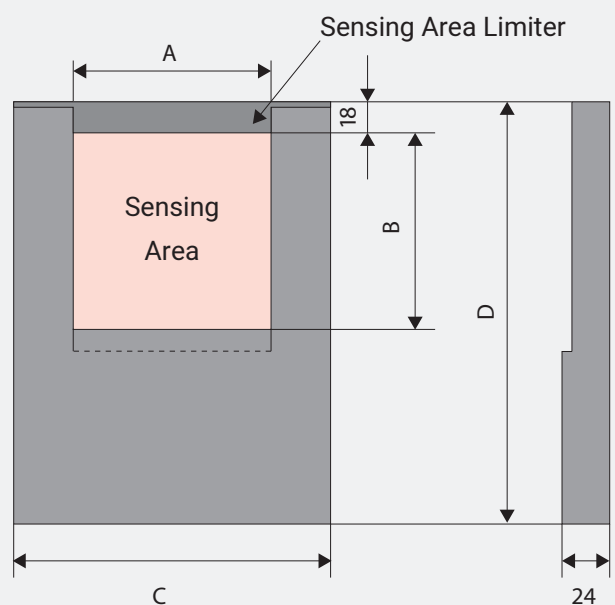
# Digital Light Curtain LVMC

## Detecting, Counting, Measuring and Classifying

- Gapless sensing area
- High sampling rate
- High operational reliability
- Available in various dimensions
- Detection of complicated shapes
- Detection of stuck objects
- Detection of unseparated objects
- Contamination monitoring
- Insensitive to environmental influences
- Object classification in up to four groups
- Analysis function with object visualization
- Self-learning automatic mode
- Statistics function with histogram
- Logging of occurred error conditions
- Size measurement
- Speed measurement
- As replacement for camera systems
- Flexibly configurable inputs and outputs (optocouplers)
- Three-color status LED
- Operation via USB and Ethernet
- Remote control via Ethernet
- HTTP server, DHCP client, NTP client
- Robust metal housing
- Supply voltage: +24V or Ethernet (PoE)



Part Name	Minimum Object Size	Sensing Area A x B in mm	External Dimensions C x D in mm
LVMC100/50M	1mm	100x52	160x165
LVMC100/100M	1mm	100x100	160x213
LVMC150/50M	1mm	150x52	210x165
LVMC150/100M	1mm	150x100	210x213
LVMC150/150M	1mm	150x150	210x263
LVMC200/100M	2mm	200x100	260x213
LVMC200/200M	2mm	200x200	260x313
LVMC250/100M	3mm	250x100	310x213
LVMC250/250M	3mm	250x250	310x363
LVMC300/100M	4mm	300x100	360x213
LVMC300/200M	4mm	300x200	360x313
LVMC400/400M	8mm	400x400	460x513



499.027.76 20220215