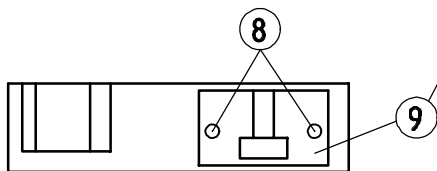
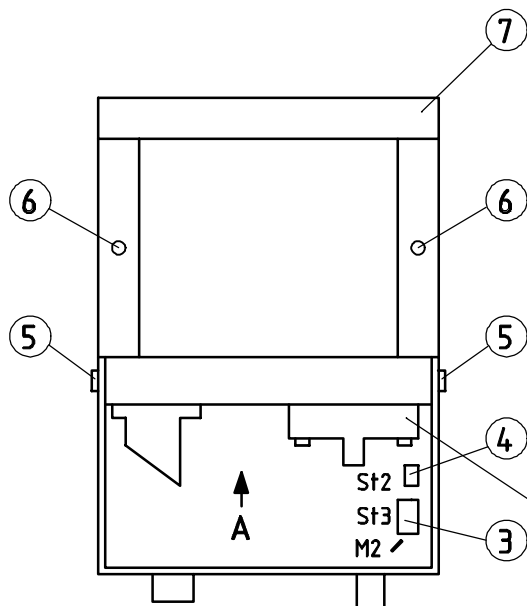
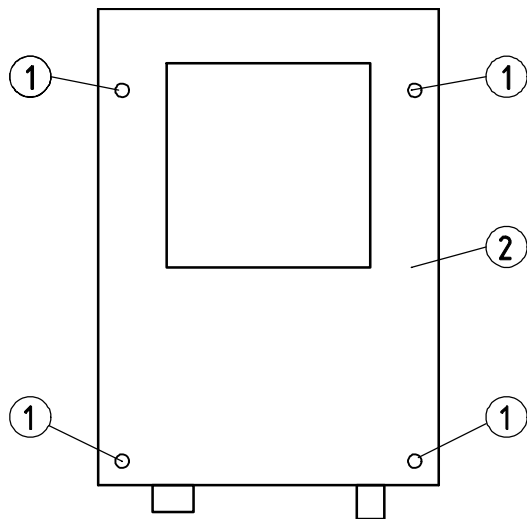


LV100D: Replacing the Emitter / Receiver Block 327.203.01



view A

1. Remove the 4 socket-head M4x10 screws [1]
2. Remove the cover [2]
3. Unplug connector St3 [3],
using the special extraction tool supplied
4. Unplug connector St2 [4]
5. Remove the 2 socket-head M4x10 screws [5]
6. Remove the 2 M5x45 screws [6]
7. Remove the optical frame [7]
8. Remove the 2 M4x25 screws [8]
9. Take off the Emitter/Receiver block [9]
10. Fit the new Emitter/Receiver block,
then reverse the procedure above
to re-assemble the unit. Connector St3
can be re-connected by hand

Emitter/Receiver block 327.203.01

